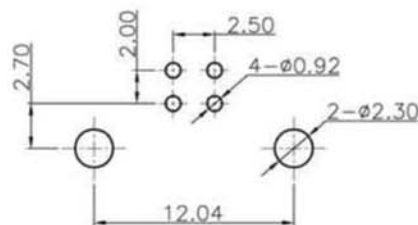
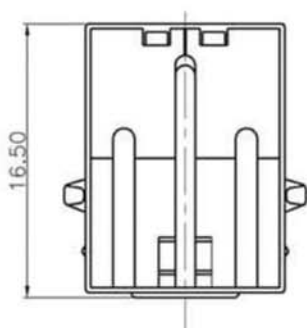


NOTE:
 MATERIAL:
 HOUSING:THERMOPLASTIC(PBT+GF&NY6T)
 COLOR:BLACK/WHITE/BROWN/BEIGE-----
 CONTACT:BRASS
 SHELL:BRASS
 PLATING:
 TERMINAL FINISH:
 COLD PLATING 1u",3u",5u".... ON CONTACT AREA
 100u" TIN PLAING ON SOLDER TAIL
 50u" TICKEL UNDREREPLATED OVER ALL
 SPECIFICATION:
 VOLTAGE RATING: 30V
 CURRENT RATING: 1A
 CONTACT RESISTANCE TERMINAL:50mΩ MAX
 DIELECTRIC WITHSTANDING VOLTAGE:150V AC
 INSULATION RESISTANCE:1000MΩ MIN



RECOMMENDED PCB LAYOUT

RoHS
Compliant

ITEM NO
 AU-Y1007-R (Type B, Version 1.1, 5μ" Gold)
 AU-Y1007-2-R (Type B, Version 2.0, 30μ" Gold)

TITLE
 USB, for PCB Mounting, Type B

ASSMANN
 Electronics, Inc.
 1840 W. Drake Drive, Suite 101 - Tempe, AZ 85283
 Toll Free: 1-877-277-6266 Email: info@usa-assmann.com

THIS DRAWING IS UNPUBLISHED
 ©Copyright 2008 by Assmann Electronic Components
 All International Rights Reserved